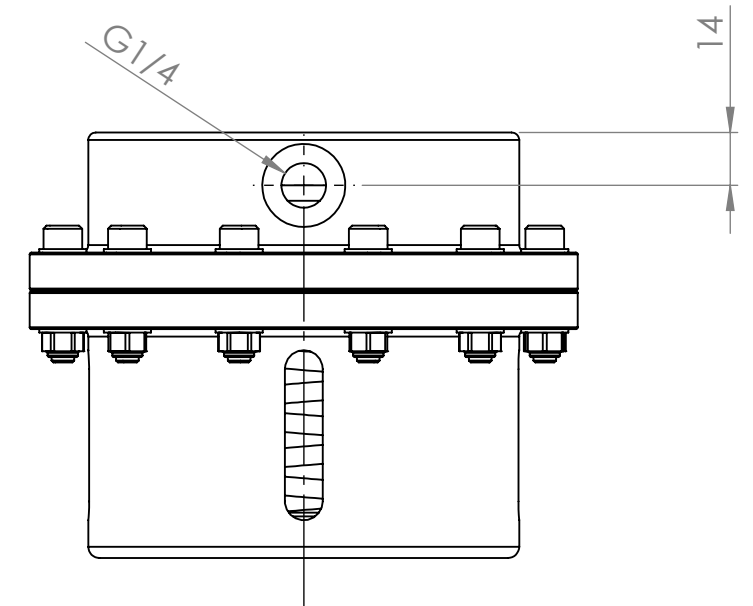
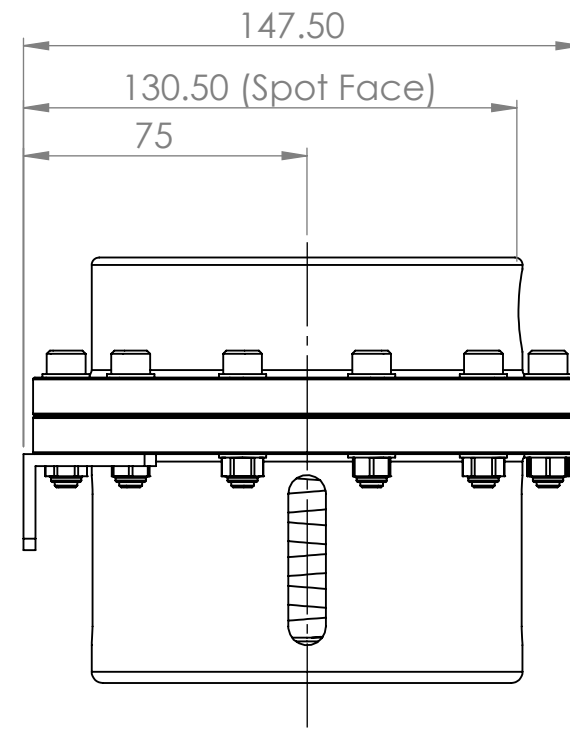
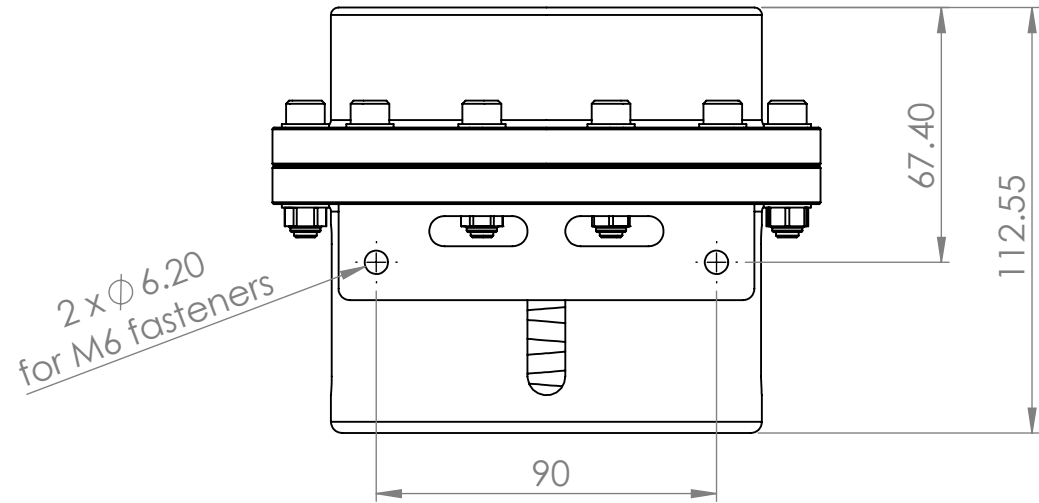
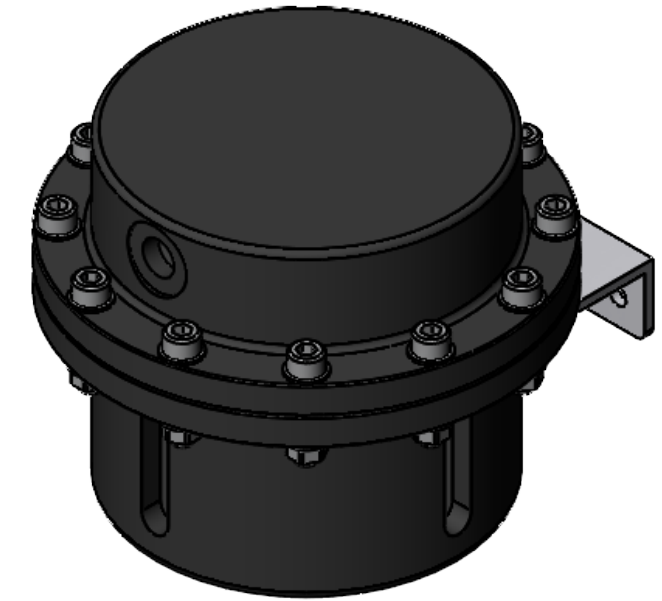
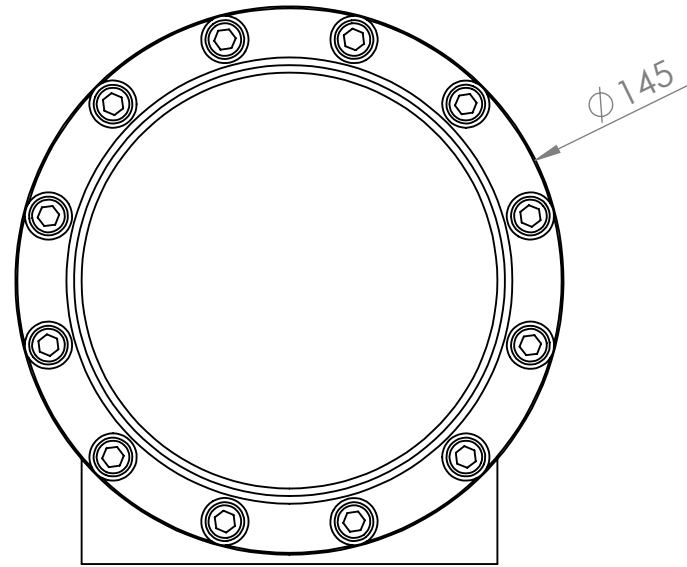


DO NOT SCALE DRAWING
THIRD ANGLE PROJECTION



NOTES

1. Compensator capacity: 375cc
2. Max working pressure: 1.1bar

REV	DRAWN	APPV'D	DATE	DESCRIPTION
1	DGM		18/07/24	ISSUED FOR INFORMATION

RECORD OF REVISIONS

Macduff Robotics Ltd
Aberdeen, Scotland.
www.macduff-robotics.com
enquiries@macduff-robotics.com

MATERIAL:

-

FINISH:

-

TOLERANCE:

+/- 0.1mm

WEIGHT:

TITLE:

375cc Low Profile Compensator
6x 1/4 BSPP Port
SHEET 1 OF 1

DWG NO.

GA0016

REVISION

1

SCALE:1:3

A3

DIMENSIONS ARE IN MILLIMETERS, UNLESS OTHERWISE SPECIFIED